

Montage™ 32FS

Appliance Specifications

Product Reference Information			
Cat. No.	Model	Ship. Weight	Ship. Volume
H6839	Montage 32FS	285 lb.	22.06 cu. ft.

Flue Size	3" (76 mm) Rear
Floor Protection Requirements	Front & Sides: 6" (152 mm) Back: Up to 6" (152 mm) ❶
Hopper Capacity	55 Lbs. ❷
Burn time	15 - 37 hours ❷
Fuse, Control Board Fuse, Igniter	5 Amp, 250 volt, 3AG ❸ 6 Amp, 125 volt ❸
Heat Input (BTU's per hour)	13,000 - 32,000 BTU/hr ❷
Emissions	< 4.5 gr/hr (varies w/size and type of fuel) EPA Certified ❷
Convection (room air) Blower	150 CFM; 1.5 Amps, 2175 rpm
Combustion Blower	95 CFM; 1.0 Amps, 3000 rpm
Auger Motor	1.25 RPM; 0.5 Amps
Standard Features	Fastfire™ Self Igniter Wall Thermostat (wire included)

Notes:

- Dimensions shown are approximations only (+/- 1/4")
- Approved for Manufactured Home Installations.
- Optional Kits Available - Decorative trim kits, log set and 4" Quick Disconnect kits.
- The burn grate is designed with advanced UltraGrate™ technology.

❶ See Floor Protection on Page 2.

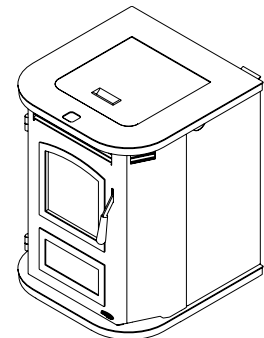
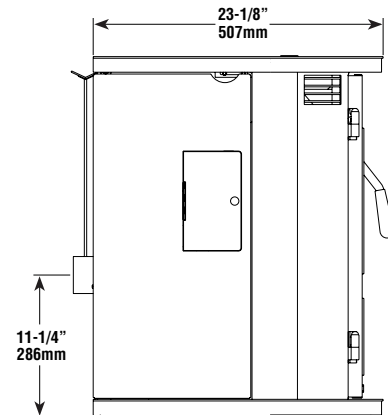
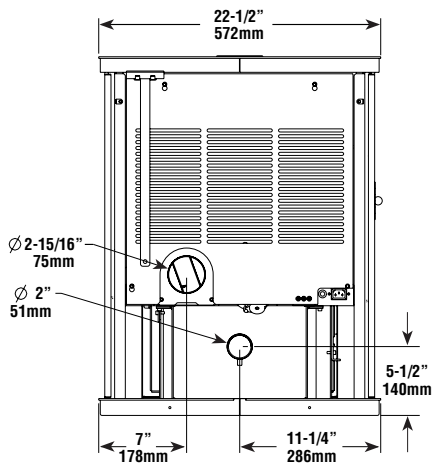
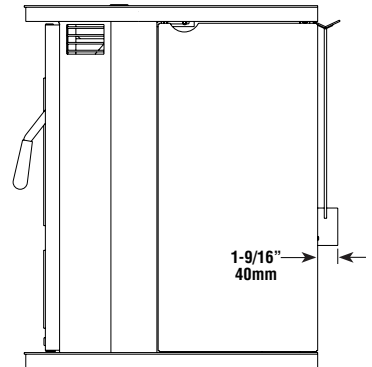
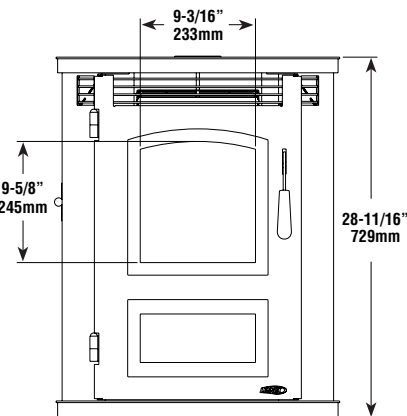
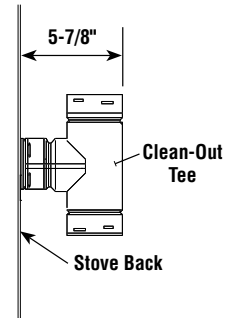
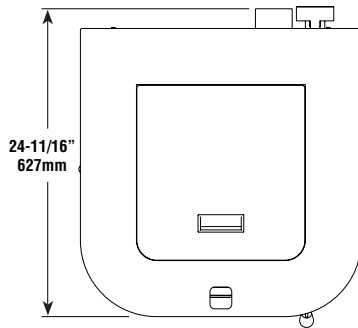
❷ Fuel delivery and burn times will vary depending on size and type of fuel used. Estimated heat input based on fuel value of 8400 BTU per lb.

❸ Fuses are rated as fast blow

Notes
Due to Lennox' ongoing commitment to quality, all specifications, ratings and dimensions are subject to change without notice.
Diagrams & Illustrations Not to Scale

Freestanding Pellet Stove

ELITE™ SERIES



Report No. 3105656MID

Tested to/Testé selon:
ASTM E-1509 / UL 1482 / ULC S627

LENNOX™

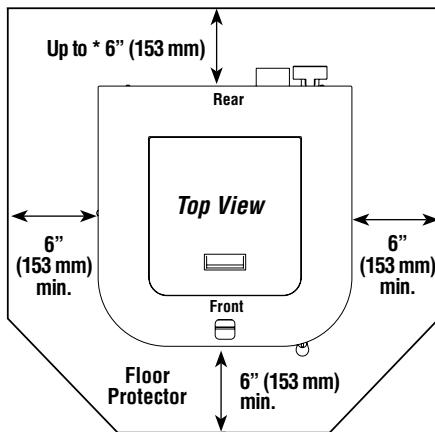
HEARTH PRODUCTS

Montage™ 32FS

FLOOR PROTECTION

A noncombustible floor protector must fully cover the area beneath the appliance and extend 6" to the front, 6" to the sides, and up to 6" from the back as illustrated.

**Note: When installed at clearances less than 6", the floor protection is only required to extend to the wall.*



CLEARANCES

Clearances to combustibles are determined from testing to applicable standards for allowable heat transfer. The clearances allowed as shown here, do not take into account operation or serviceability requirements.

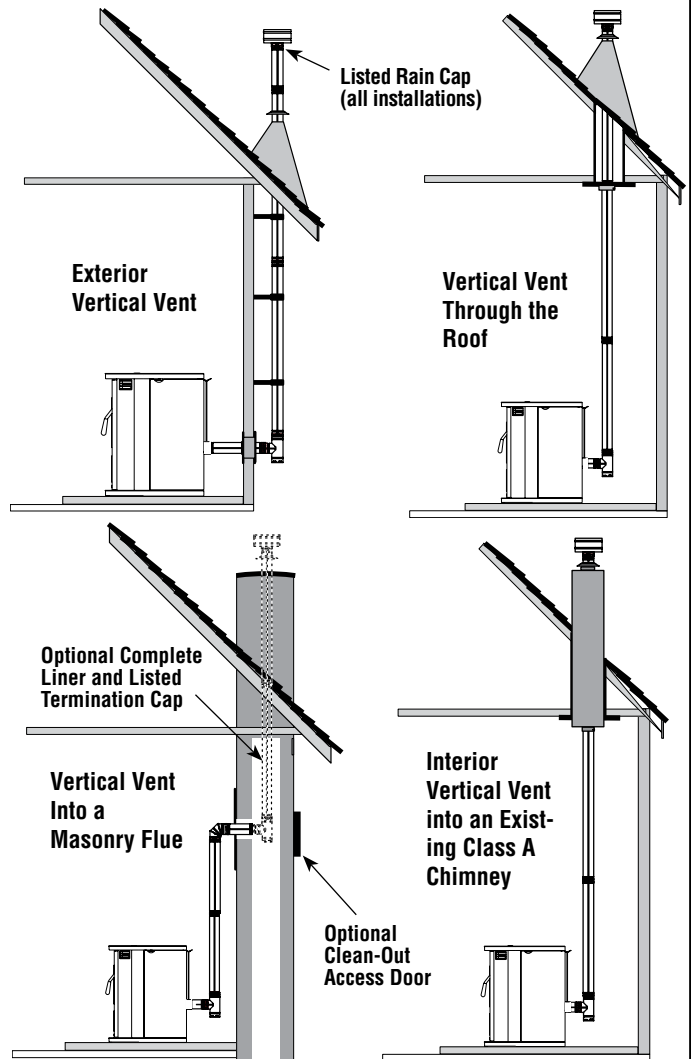
Standard residential or manufactured home installation. These appliances require the following minimum clearances to combustibles:

Minimum Clearances To Combustibles

Montage 32FS	Horizontal Flue – Directly Through Wall	Interior Vertical Flue
A - Side wall to unit	① 4" (102 mm)	① 4" (102 mm)
B - Back wall to unit	2" (51 mm)	9" (229 mm)
C - Side wall to unit Corner	1" (25 mm)	1" (25 mm)
D - Max. Depth of Alcove	② 24" (610 mm)	② 24" (610 mm)
E - Flue to Wall	3" (77 mm)	3" (77 mm)

① Measured to fuel hopper lid in alcove.
② Minimum Alcove Measurements - Height 48" (1220 mm) x Width 31" (788 mm) x Maximum Depth 24" (610 mm)

VENTING CONFIGURATIONS



IMPORTANT NOTES

- Minimum clearances specified may not allow for ease of operation and maintenance (please take this in to account when planning the installation). If installed to the minimum clearances, removal of the appliance may be necessary for servicing.
- Recommended clearance zone from the front of the appliance to combustibles is 4 feet minimum.

