

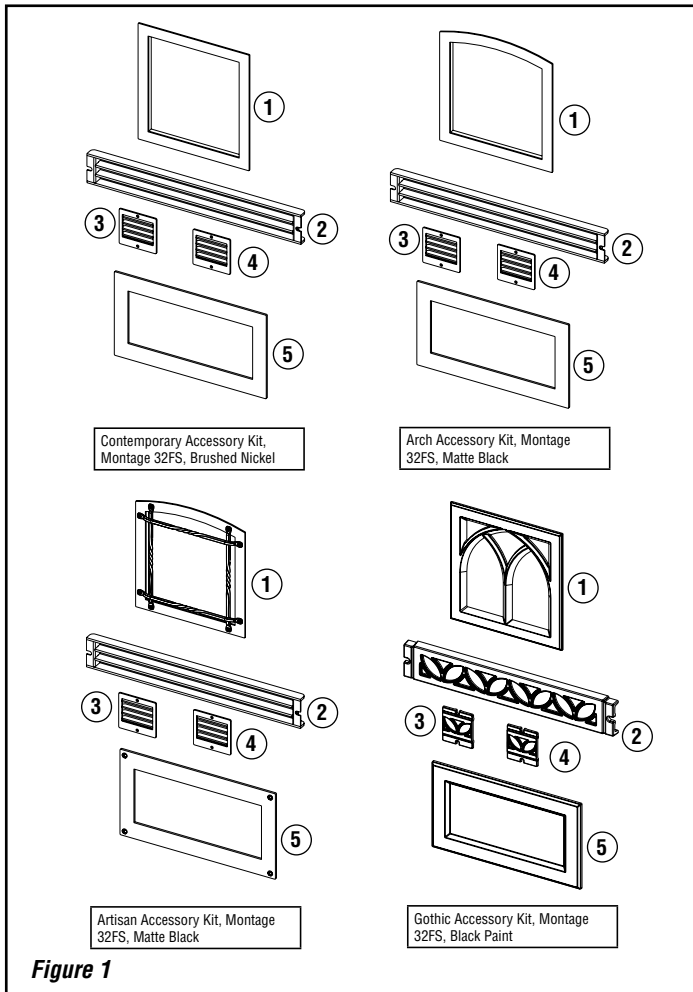
INSTALLATION INSTRUCTIONS FOR DECORATIVE TRIM KITS FOR USE WITH THE MONTAGE 32FS PELLET STOVE

ELITE™ SERIES

KIT CONTENTS (See Figure 1):

Cat. No. H6840, H6841 and H6842	Cat. No. H6843
1 ea. Window Inset (item #1)	1 ea. Window Inset (item #1)
1 ea. Center Grill (item #2)	1 ea. Center Inset (item #2)
2 ea. Side Grills (items #3 & 4)	2 ea. Side Inset (items #3 & 4)
1 ea. Pedestal Inset (item #5)	1 ea. Pedestal Inset (item #5)
14 ea. 10-24 Nut	8 ea. 8-32 x 1/4" Phillips Head Screws
6 ea. #10 Washer	6 ea. 10-24 Nut
1 ea. Instruction Sheet	6 ea. #10 Washer
	1 ea. Instruction Sheet

Cat. #	Model	Description
H6840	MONT-32FS-CONT	Contemporary Trim Kit, Brushed Nickel
H6841	MONT-32FS-ART	Artisan Trim Kit, Matte Black
H6842	MONT-32FS-ARCH	Arch Trim Kit, Matte Black
H6843	MONT-32FS-GOTH	Gothic Cast Iron Kit, Black Painted



NOTE: DIAGRAMS & ILLUSTRATIONS NOT TO SCALE.

TOOLS NEEDED:

- 1/4" Wrench, Nut Driver Or Shallow Socket
- 3/8" Socket
- Phillips Screwdriver

GENERAL INFORMATION

All of these parts may scratch and bend, great care should be used in handling them.

If you encounter any problems, need clarification of these instructions or are not qualified to properly install this kit, contact your local distributor or dealer.

Read this instruction sheet in its entirety before beginning the installation.

ALL WARNINGS AND PRECAUTIONS IN THE INSTALLATION AND OPERATION MANUAL PROVIDED WITH THE APPLIANCE APPLY TO THESE INSTRUCTIONS.

TURN OFF THE STOVE AND ALLOW IT TO COMPLETELY COOL BEFORE PROCEEDING.

INSTALLATION INSTRUCTIONS

- Step 1. Open the front glass door.
- Step 2. Pull up on the door handle until the 1/4" holes in the latch plate and door frame line up (located just above the spring). Insert a screwdriver to hold the door handle up to facilitate removing the front door face.
- Step 3. Remove the door handle by unscrewing it.
- Step 4. Using a 3/8" socket, remove the six nuts on the inner door and remove the front door face (see Figure 2).

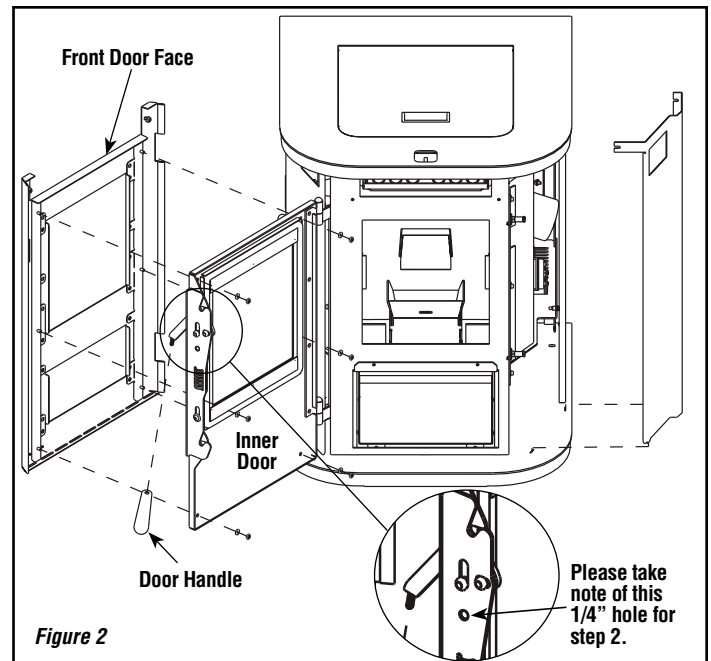
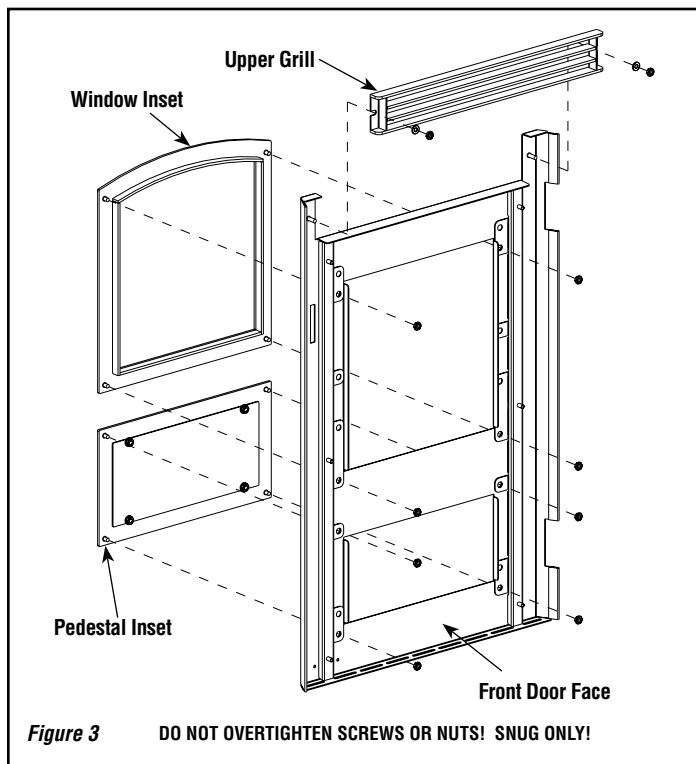


Figure 2

**IMPORTANT NOTE: DO NOT OVERTIGHTEN SCREWS AND NUTS.
SECURE UNTIL SNUG ONLY!**

Step 5. Using a 3/8" socket, install the upper grill onto front door face as shown in **Figure 3**.



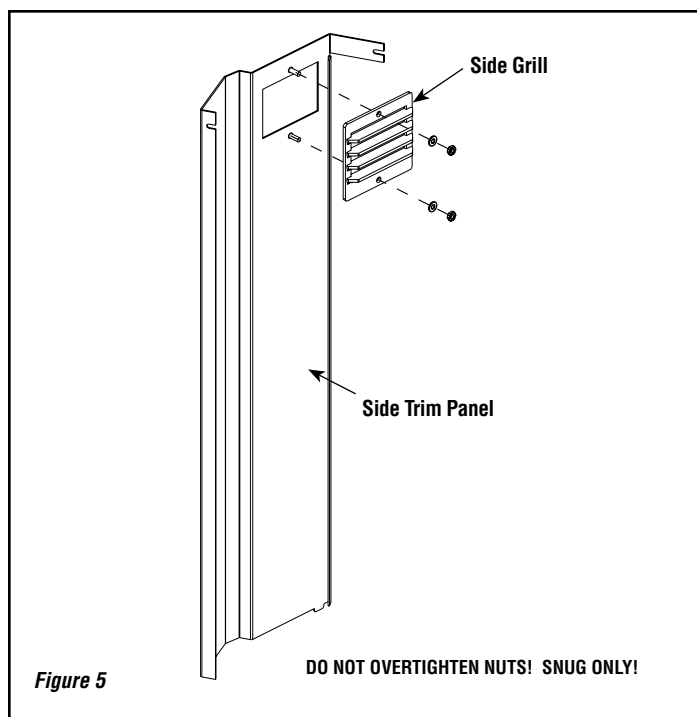
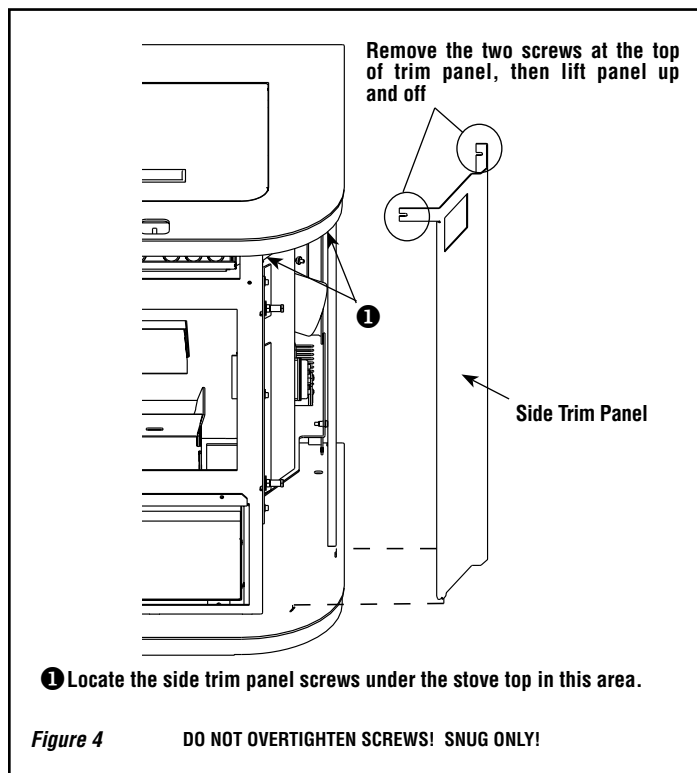
Step 6. Using a 3/8" socket or phillips screwdriver (kits H6840, H6841, and H6842 use nuts; kit H6843 uses screws), install the window inset and the pedestal inset (see **Figure 3**).

Step 7. Using a 1/4" wrench, nut driver or shallow socket, remove the left and right side trim panels as shown in **Figure 4**.

Step 8. Using a 3/8" socket, install the left and right grills as shown in **Figure 5**.

Step 9. Reinstall the components that were removed in reverse order.

Step 10. Check adjustment of side panels for alignment with the side door and front door clearance. Re-adjust if needed.



NOTE: DIAGRAMS & ILLUSTRATIONS ARE NOT TO SCALE.

Lennox Hearth Products reserves the right to make changes at any time, without notice, in design, materials, specifications, prices and the discontinuance of colors, styles and products. Consult your local distributor for fireplace code information.

LENNOXTM
HEARTH PRODUCTS