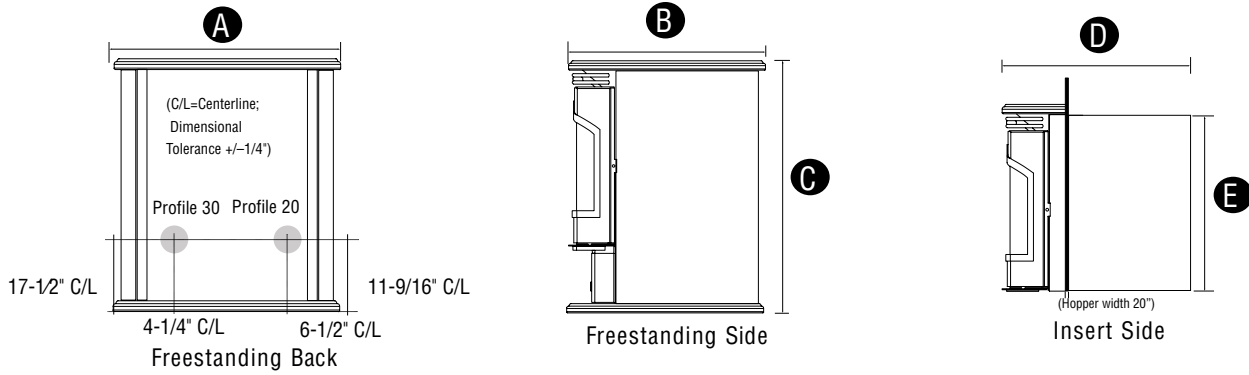


# PROFILE SERIES

## Appliance Specifications



- |                   |                                 |                                 |                   |                                 |              |
|-------------------|---------------------------------|---------------------------------|-------------------|---------------------------------|--------------|
| <b>Profile 30</b> | <b>A</b> Overall Width 25-7/8"  | <b>D</b> Overall Depth 24-1/2"  | <b>Profile 20</b> | <b>A</b> Overall Width 23"      | <b>D</b> N/A |
|                   | <b>B</b> Overall Depth 25"      | <b>E</b> Firebox Height 19-3/4" |                   | <b>B</b> Overall Depth 21-1/4"  | <b>E</b> N/A |
|                   | <b>C</b> Overall Height 31-3/8" |                                 |                   | <b>C</b> Overall Height 28-3/4" |              |

	Profile 20	Profile 30	Profile 30
	FREESTANDING	FREESTANDING	INSERT
<b>DIMENSIONS</b>			
Width	23"	25-7/8"	25-7/8"
Height	28-3/4"	31-3/8"	19-3/4"
Depth	21-1/4"	25"	
Overall depth		24-3/4"	
<b>INSERT SHROUDS</b>			
Small			28-1/2" x 40-3/4"
Medium			32" x 44"
Large			36" x 48"
<b>CAPACITIES</b>			
BTU range	*9,800-28,000	**14,000 -37,000	*14,000-37,000
Fuel capacity	55 lbs.	80 lbs.	50 lbs.
Burn time	**16-40 hrs.	**20-75 hrs.	**10-45 hrs.
<b>EFFICIENCIES &amp; FEDERAL EMISSIONS</b>			
Overall efficiency	75-81%	81%	81%
Emission	***0.41 gm/hr.	***0.41gm/hr.	***1.95 gm/hr.
Status	Exempt	Exempt	Exempt
<b>CLEARANCES</b>			
Back	1"	1"	1"
Side	6"	6"	6"
Mantle	(NA)	(NA)	18" Fireplace In.

The Profile is approved for mobile home installation. This stove is manufactured and shipped with the Ultra Grate installed, which enables it to burn both "Premium" grade and "Standard" grade wood pellet fuel with up to 3% ash content as defined by the PFI.

\*BTUs vary with pellet type.  
 \*\*The burn time will vary with size and type of fuel being used. Safety tested by: Warnock Hersey, Vancouver, B.C. Approved to: UL1482, UL907, ULCS627, CSAB3662, ULCS628, ASTM E 1509-93.  
 \*\*\*Profile test results. Results based on EPA test methods. Efficiencies vary with fuel feed rates. Federal Emissions Standard—7.5 grams/hr. particulate.  
 Ultra Grate U.S. patent #5137010, 5383446.

The above dimensions are for general purposes only. See installation manual for specific diagrams. Lennox Hearth Products maintains an excellent warranty program and trained, fully qualified Lennox Hearth Products pellet stove service and installation technicians throughout its entire dealer sales and service network. Lennox Hearth Products reserves the right to change products, specifications and prices without notice.

Lennox Hearth Products  
[www.lennoxhearthproducts.com](http://www.lennoxhearthproducts.com)

© 2001, Lennox Hearth Products. All rights reserved.

